

RLP77 Double Scissor Lift



Composite polymer rubber adapter pads are placed on platforms for vehicle spotting.

Shown: #FJ2439 / 1-1/2" (38mm) adapter pad

Vehicle Spotting / Adapter Contact Options

Consult users manual for proper adapter usage and options.



#SB700071Y

Included with the RLP77
Set of four 1/2" (12mm)
Flat Polymer Rubber Pad Adapters



#FJ2439

Set of four 1-1/2" (38mm)
Flat Polymer Rubber Pad Adapters



#FJ2440

Set of four 3" (76mm) Flat
Polymer Rubber Pad Adapters

Optional Adapter Accessory (Not Included)

Set of 4 extended height 7" (178mm) adapters for lifting SUVs and short wheelbase framed vehicles



#FJ6211BK

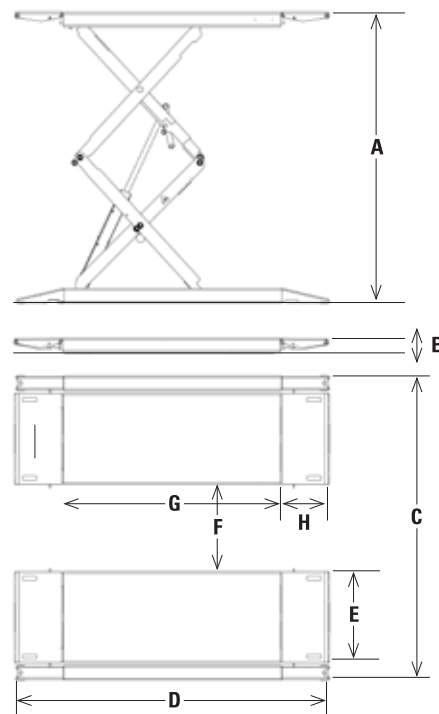
Specifications / RLP77

Lifting Capacity	7,700lbs. (3500kg)
A. Maximum Rise	78 - 3/4" (2000mm) surface mounted* 74 - 5/8" (1895mm) recessed mounted
B. Lowered Height	4 - 1/8" (105mm)
C. Width Overall	85" (2159mm)
D. Overall Length	85" (2159mm)
E. Runway Width	24 - 3/4" (629mm)
F. Width Between Platforms	23 - 5/8" (600mm)
G. Platform Length	59" (1499mm) 85" (2159mm) w/ ramps extended
H. Ramp Length	13" (330mm)
Motor / Voltage	Single Phase - 4 Hp, 60Hz, 230V
Time of Full Rise	39 seconds
Compressed Air Connection	85-110psi

* Rise measures floor to top of runway at full stroke.



Lifts are available in blue and gray. Control consoles are gray only.



RLP77 Double Scissor Lift

7,700 LBS. CAPACITY DRIVE OVER PAD SERVICE LIFT



Shown: RLP77N0000
7,700 lbs. (3500kg) capacity
Double scissor drive-over lift

Low profile double scissor designed with the industry's most innovative equalization and locking systems.



Rotary Lift
2700 Lanier Drive
Madison, IN 47250, USA



North / South America Contact Information

Sales: p 800.640.5438
e userlink@rotarylift.com
Tech. Support: p 800.445.5438
e techlink@rotarylift.com

Global Contact Information

USA: 1.812.273.1622
Canada: 1.905.812.9920
Latin America / Caribbean: 1.812.273.1622
Brazil: +55.11.4534.1995

Assistance for Government Purchasing

Government Sales: 800.445.5438 X5655

For additional world wide contact information and a complete guide to our product offering, visit us on the web at rotarylift.com.



Contract No. 061015-RRL



Lit# Rotary RLP77_Cutsheet.2016.03
©2016 VEHICLE SERVICE GROUP™, Printed in U.S.A., All Rights Reserved.
Unless otherwise indicated, ROTARY LIFT, VEHICLE SERVICE GROUP™, DOVER and all other trademarks are property of Dover Corporation and its affiliates.



2212 Camplain Road
Hillsborough, NJ 08844
1-888-8FC-LIFT

The World's Most Trusted Lift™
www.rotarylift.com

Engineered for quick service, fast repair work, and shops with small spaces.
This compact, lightweight scissor structure offers years of service.



Shown: RLP77N0000
 7,700 lbs. (3500kg) capacity
 Double scissor drive-over lift



Platforms feature a durable, powder coated diamond plate surface.

Polymer rubber adapter pads are used for vehicle contact. See back page for available adapter options.



Feature Checklist:

- ✓ Low drive-over clearance allows for effortless positioning of low profile vehicles
- ✓ Oversized platforms accommodate a wide range of vehicles and pickup points
- ✓ 78" rise height creates working space for the tallest technicians
- ✓ Hinged ramps drop down to a 65 degree angle for easy access to wheel service
- ✓ Patent pending composite high strength steel construction delivers long life
- ✓ Incorporated locking system features a negative rake tooth design
- ✓ Surface or flush mounted option
- ✓ ALI Gold Label Certified

Rotary DESIGN ADVANTAGE

Synchrodrive™ Equalization

Exclusive, patent pending equalization system ensures worry-free use with every lifting cycle. The Synchrodrive™ is a hydraulic system that maintains platform equalization during lifting and lowering cycles. **Blocked Platform functionality** prevents out of level situations in the event of inadvertent platform or scissor obstructions.

Trouble-free Synchrodrive™ uses no electronics or sensors and fewer moving parts, hoses, valves and seals.

Easy setup with minimal maintenance thanks to simple bleeding process to calibrate platforms.



Intuitive, easy to use control console design.

The **Synchrodrive™** system is housed in a sleek, compact console that takes up less than two square feet of floor space.

Filter, regulator, lubricator assembly standard



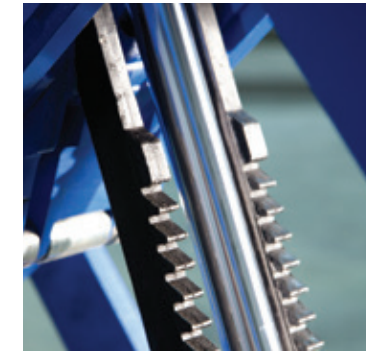
Low profile design with integrated folding ramps accommodate a variety of vehicle types.



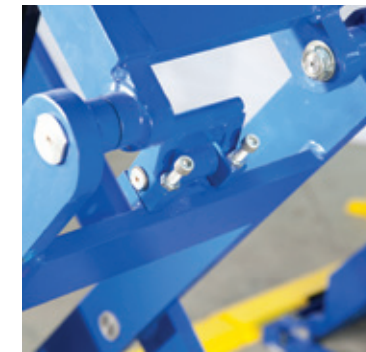
Underhung ramps with polymer rollers maximize vehicle spotting footprint. The ramps fold up, lock in place and increase lifting capabilities by extending the pick-up point surface area.



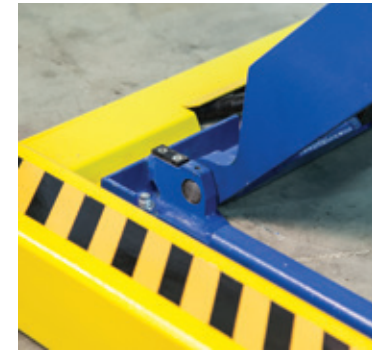
Hinged ramps fold 65 degrees down and away, allowing for more access to perform wheel and brake service.



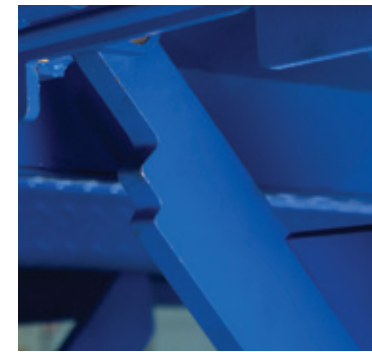
24 lock positions feature a negative rake tooth design. Locks ratchet over each other then interlock when lift is lowered to locks.



Lift dampener provides soft landing when lift is lowered to the ground.



Hot dipped galvanized platform base protects flush mounted lift components from corrosion.



Patent pending, high strength, composite steel scissor legs.



Shown: RLP77N0000 / 7,700 lbs. (3500kg) capacity double scissor drive-over lift