

# Mobile DEF Storage and Dispense Solution



Fluidall's mobile DEF tank is the superior solution for diesel exhaust fluid transfer, tried and proven for over 10 years in the harshest conditions. Whether you need a DEF tank for your pick up truck or for the back of your UTV, we have the best solution complete with a 9gpm pump package to deliver your DEF safely in prime conditions.

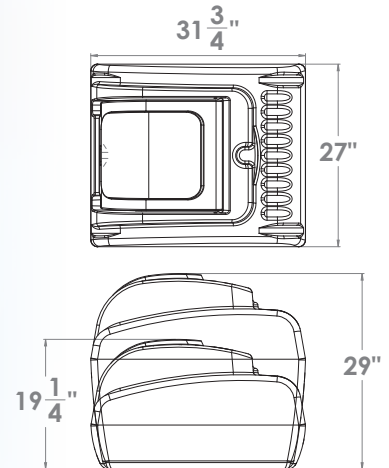
- Heavy Duty Poly Tank for DEF Compatibility
- Fully Enclosed Lockable Pump Cover
- DEF Tank has Built-In Easy Lift Handles
- High Quality Stainless Steel Pumps (9gpm) with Auto Shutoff Nozzle
- Flexible 20' Hose for Long Reach



**25 Gallon DEF Tank**  
32"L x 27"W x 20"H



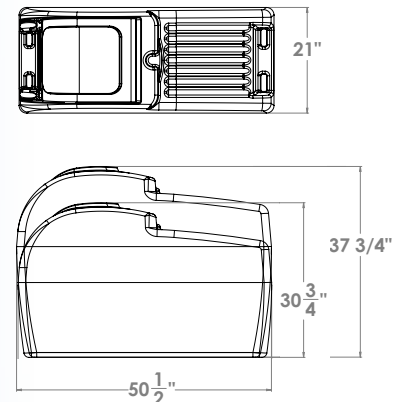
**55 Gallon DEF Tank**  
32"L x 27"W x 29"H



**75 Gallon DEF Tank**  
51"L x 21"W x 31"H



**100 Gallon DEF Tank**  
51"L x 21"W x 38"H





# Mobile Diesel Storage and Dispense Solution

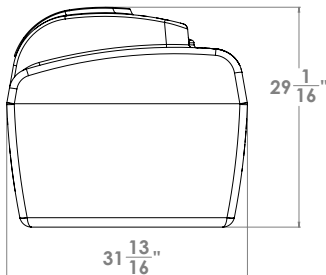
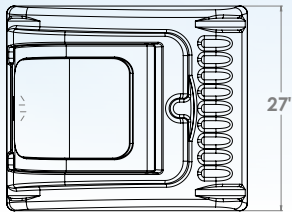


Fluidall's poly diesel transfer tank is the superior solution for diesel fuel transfer, tried and proven for over 10 years in the harshest conditions. Whether you need a diesel tank for your pick up truck or for the back of your UTV, we have the best solution complete with a 10gpm pump package to deliver your fuel safely in prime conditions.

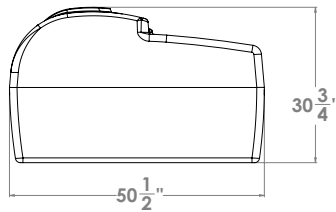
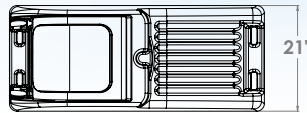
- Rust-Free, Heavy-Duty Poly Tank
- Lockable Pump Cover for Extra Protection
- Improved Lid Security with Recessed Hinge Pin
- Strap Down Grooves
- Built-In Easy-Lift Handles
- Improved Recessed Drain Plug
- 12v Rotary Vane Dieselflo Pump with 10gpm Flow
- Flexible Delivery Hose, 16' x 3/4"
- NBR Gaskets and Seals



**55 Gallon Diesel Tank**  
32" L x 27" W x 30" H



**75 Gallon Diesel Tank**  
51" L x 21" W x 31" H



**100 Gallon Diesel Tank**  
51" L x 21" W x 38" H

