



First choice when
quality counts.™

Oil King™

25 Gallon (94.6 Liter) Oil Receiver

**A convenient,
practical
used-oil
receiver –
tough enough
to handle the
rigors of a
busy shop**

Typical Fluids Handled

- Motor oil
- Automatic transmission fluid
- Gear oil
- Hydraulic oil
- Power steering fluids
- Engine coolants

Typical Industry Applications

- Automotive dealerships
- Automotive specialty repair shops
- Light and medium duty vehicle fleet service shops
- Municipal service garages
- General service and repair garages



The Oil King receiver is designed with the busy shop in mind. Many features make this 25 gallon (94.6 liter) capacity receiver easy to maneuver around the worksite – from the oversized tires that move smoothly across uneven flooring and over hoses, to the push-pull handles around the top perimeter. The large funnel can collect fluids from both a drain plug and a filter port at the same time. This funnel can be raised to a maximum height of 72 in. (183 cm) and is equipped with a filter screen to prevent debris from entering the tank.

A full-length liquid level sight gauge lets you know when the tank is full. To empty the tank, choose the method that works best in your shop: gravity drain from a bottom valve or suction-evacuate from the top. To help keep your tools at your fingertips, the Oil King features convenient, built-in holding bins for new or used filters, wrenches and rags. The bins allow used filters to drain completely right into the tank, without cluttering the funnel. Made from a heavy-duty, durable UV-stabilized polymer, this used-oil receiver is dent-, rust- and corrosion-resistant and never needs painting to maintain its original appearance.

Technical Specifications

Length	24 in. (610 mm)
Width	24 in. (610 mm)
Height	
with bowl at lowest adjustment	3-3/4 ft. (1143 mm)
with bowl at highest adjustment	6 ft. (1829 mm)
Dry weight	54 lbs. (24.5 kg)
Collection bowl size	22 x 24 in. (508 x 559 mm)
Inspection port size	3 in. (76 mm) thread
Fluid outlet fitting size	3/4 in. port
Operating temperature range ...	30-120°F (1.11-49°C)
Maximum oil temperature	220°F (104°C)
Semi-pneumatic wheel	10 in. (254 mm)
Urethane casters	3 in. (76 mm)
Filter drain compartment capacity	6 filters
Color	black, white logo, red casters
Wetted parts	linear low-density polyethylene (LLDPE), zinc-plated steel, brass, nylon, polypropylene, PVC
Instruction manual	308-667

Ordering Information

238866 Oil King Oil Receiver

Oil-Pumping Systems

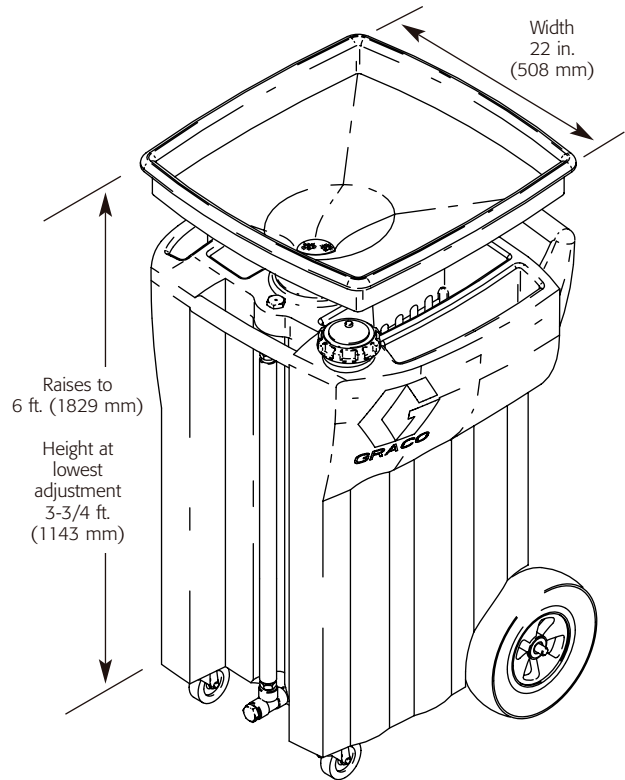
224873 Wall-mount 716 diaphragm pump system

Includes: **241906** 716 Diaphragm pump
240684 Air installation kit
240685 Fluid installation kit
224835 Wall bracket kit
240832 Drum-style adapter kit

222090 Wall-mount 1040 diaphragm pump system

Includes: **236265** 1040 Diaphragm pump
240684 Air installation kit
240685 Fluid installation kit
189233 Wall bracket accessory kit
240832 Drum-style adapter kit

Dimensions



All written and visual data contained in this document are based on the latest product information available at the time of publication. Graco reserves the right to make changes at any time without notice.

Sales/Distribution

North America Toll Free 800-533-9655

Telephone 612-623-6928

Fax 800-533-9656

www.graco.com

Locate authorized distributors

Product information literature



GRACO INC.
P.O. Box 1441
Minneapolis, MN 55440-1441

Graco Inc. is registered to I.S. EN ISO 9001

