

CHOOSE YOUR CL12

WE'VE EXPANDED
OUR 12,000 LB.
LIFTING FLEET



2212 Camplain Rd., Hillsborough, NJ 08844

Call for Sales, Service, & Installation

www.fclift.com **908.526.1500**



Challenger's 12,000 lb. 2-post series lifts provide the capability to pick up the smallest passenger cars, heavy-duty pickup trucks, and everything in between. Standard true 3-stage front and 3-stage rear arms offer the necessary flexibility to maximize your service potential as well as the durability and rigidity you'd expect from a 12,000 lb. lift.

We know that no two shops are the same. That's why we're offering the CL12 with new productivity tools for personalized efficiency. Choose your size, controls and speed, and know that your investment is customized to lift your shop to new heights.

CL Challenger Lifts

12,000 LB. 2-POST LIFT CL12

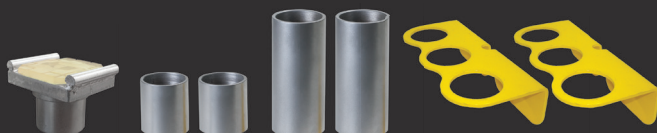


- » 12,000 lb. lift capacity
- » 3-stage front and 3-stage rear arms accommodate a wide range of common cars, trucks, vans as well as SUVs within the same service bay
- » 60" lifting carriage design increases lift life
- » Adjustable column height accommodates higher profile vehicles and provides maximum headroom to work underneath vehicles
- » Padded overhead shut off system prevents vehicle damage
- » Pulley-less jacketed single-point lock release system makes for smoother, easier operation and longer life
- » Premium powder coat finish provides long-lasting durability
- » Standard dual integrated rubber door guards help protect vehicle panels from inadvertent damage
- » Heavy-duty polyurethane screw pads accommodate a wide range of recommended lifting points
- » Plated arm restraints and arm pins inhibit rust and provide long-lasting durability
- » Added height adjustability feature provides allowance for ceiling obstructions

STANDARD WITH ALL MODELS

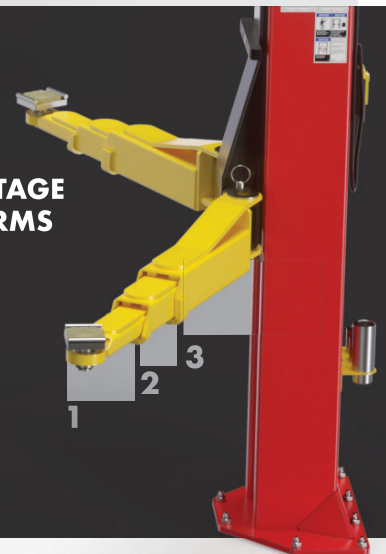
LIFT POINT ACCESSORIES

Single telescoping heavy-duty footpads (4), 4" stack adapters (4), 8" stack adapters (2) and an organizer rack



STANDARD TRUE 3-STAGE FRONT AND REAR ARMS

Each of the three expansion phases is constructed of solid steel to ensure maximum rigidity, durability and technician security.



2018 UPGRADES

HIGH PRODUCTIVITY 12,000 LB. 2-POST CL12-QC-DPC



QUICK CYCLE



The Quick Cycle hydraulic enhancement increases lift service efficiency by **saving 30% rise and descent time**. Boost the productivity and profitability of your shop by servicing more vehicles in the same amount of time.

The Quick Cycle hydraulic enhancement increases lift service efficiency by **saving 30% rise and descent time**. Boost the productivity and profitability of your shop by servicing more vehicles in the same amount of time.

DUAL PENDANT CONTROLS



Always within technician reach when small spotting adjustments matter, dual pendant controls **expedite vehicle spotting** from either column by providing an unobstructed view to lifting points.

ADJUSTABLE HEIGHT

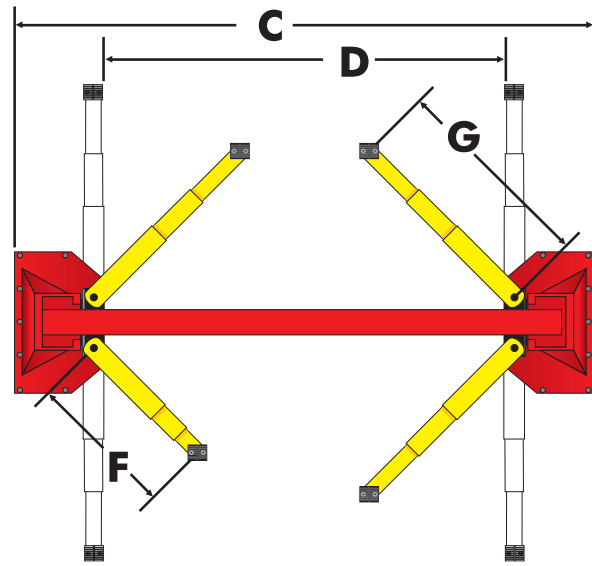
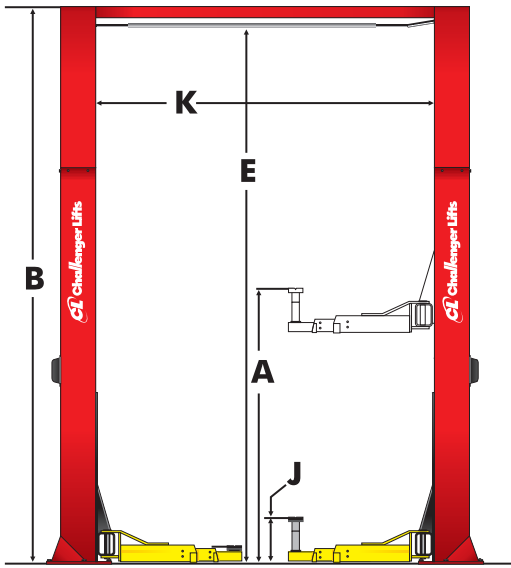


Maximize your vertical shop space with an extended Challenger CL12 lift. Optional steel sleeve extensions **add 1' or 2' to your overall height**. Or adjust your lift up to 6" lower to account for possible ceiling obstructions.



LOW CEILING CL12 CL12-LC

Need the capacity of Challenger's CL12 lift but don't have the overhead space? We've designed a low-ceiling model just for you. With an overall height that fits inside a standard 12' ceiling but enough capacity to lift even a heavy-duty pickup truck, the CL12-LC will expand the service potential of your facility.



Model Number	CL12-LC	CL12-LC-QC-DPC	CL12	CL12-1	CL12-2	CL12-QC-DPC
Lifting Capacity	12,000 lbs.					
Lifting Configuration	Symmetric					
Arms	3-stage front/3-stage rear					
A Rise Height ¹	80.25"		84.75"			
B Overall Height	11'11"		13'8" / 13'2"*	14'8" / 14'2"*	15'8" / 15'2"*	13'8" / 13'2"*
C Overall Width	142"					
D Drive-Thru Clearance	103.5"					
E Floor to Overhead Switch	136"		157" / 151"*	169" / 163"*	181" / 175"*	157" / 151"*
F Arm Reach (Min.)	27.5"					
G Arm Reach (Max.)	59"					
J Screw Pad Height ²	5" / 12.625" (includes 6" stack adapter)					
K Inside Columns	114.5"					
Motor / Voltage ³	2HP, 208v-230v, 60Hz, 1Ph	3HP, 208v-230v, 60Hz, 1Ph	2HP, 208v-230v, 60Hz, 1Ph			3HP, 208v-230v, 60Hz, 1Ph
Speed of Rise	60 s	38 s	63 s			40 s
Ceiling Height Required	12'		13' 9"	14' 9"	15' 9"	13'9
ALI/ETL Certified	√					
Colors Available						

¹ Rise height is measured with high extension. ² Medium and high auxiliary adapter extensions are standard. ³ Optional 3-phase electrical also available, please specify at time of order. † Frame engaging adapters are required when lifting vehicles with frame construction.
* Height can be adjusted as much as 6" down to allow for ceiling obstruction

For more information, contact your Authorized Challenger Lifts Distributor:



2212 Camplain Rd., Hillsborough, NJ 08844

Call for Sales, Service, & Installation

www.fclift.com **908.526.1500**



AAIA
Automotive Aftermarket
Industry Association



The Automotive Lift Institute (ALI) certifies that the CL12 described herein complies with the applicable provisions of the American National Standards ANSI/ALI ALCTV 2011 and is Third Party Validated by the ETL Testing Laboratory.

800-648-5438 | 502-625-0700 | Fax: 502-625-0711 | Email: sales@challengerlifts.com
2311 South Park Road | Louisville, KY 40219