



2212 Camplain Rd., Hillsborough, NJ 08844

Call for Sales, Service, & Installation


www.flift.com **908.526.1500**

10,000 LB 2-POST LIFT

VLE10 MODEL

Challenger adds the industry leading Versymmetric® Technology to the popular economy grade 2-post lift, the LE10. Expand your service capabilities with the VLE10's ability to lift a wide range of vehicles, including Forbes Top 20 Best-Selling Vehicles of 2020.

AT A GLANCE

| | |
|----------------------|---|
| CAPACITY | 10,000 lb |
| CONFIGURATION | 3-stage front and 2-stage rear arms |
| BAY HEIGHT | 12' minimum |
| BAY WIDTH | 12' recommended |
| BAY DEPTH | 24' recommended |
| POWER REQ. | 208-230v, single phase, 30-amp breaker |
| COLOR OPTIONS |  |

Specs shown for standard models.
Variations may apply.



VERSYMMETRIC® TECHNOLOGY

Challenger Lifts' Versymmetric® technology brings flexibility to **any service bay** while also ensuring the safe lifting of **any vehicle**. Versymmetric® lift technology, established in 1992 by Challenger®, **combines a Symmetric and an Asymmetric lift into one!**

Safely accommodating vehicles from compact cars to full size trucks, our Versymmetric® lifts can do it all by using heavy-duty columns and arms. Meaning you can **service a wide range of vehicles** all from the same service bay.

Whether you're looking for efficiency or are just simply short on space, this Challenger Lift is right for you.

- Challenger's Versymmetric® Technology, with 3-Stage offset front arm design, allows for the safe symmetric lifting of trucks or asymmetric lifting of other small vehicles within the same service bay.
- Direct Spot Technology™, created by the Versymmetric® offset arms, allows you to save time on spotting a short wheelbase vehicle by eliminating the need to struggle with the tires.



VLE10 Accessories



GM® FOOTPAD

PART # B2280PR

Extra-wide heavy-duty polyurethane footpads designed for 2019 Chevy® Silverado® and GMC® Sierra® trucks. Sold in a set of 2.



ELECTRIC VEHICLE FOOTPAD

PART # TFPK

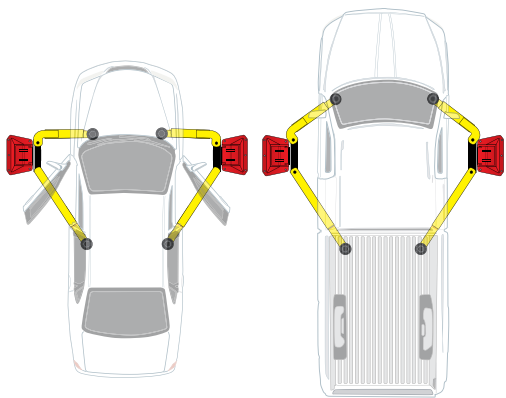
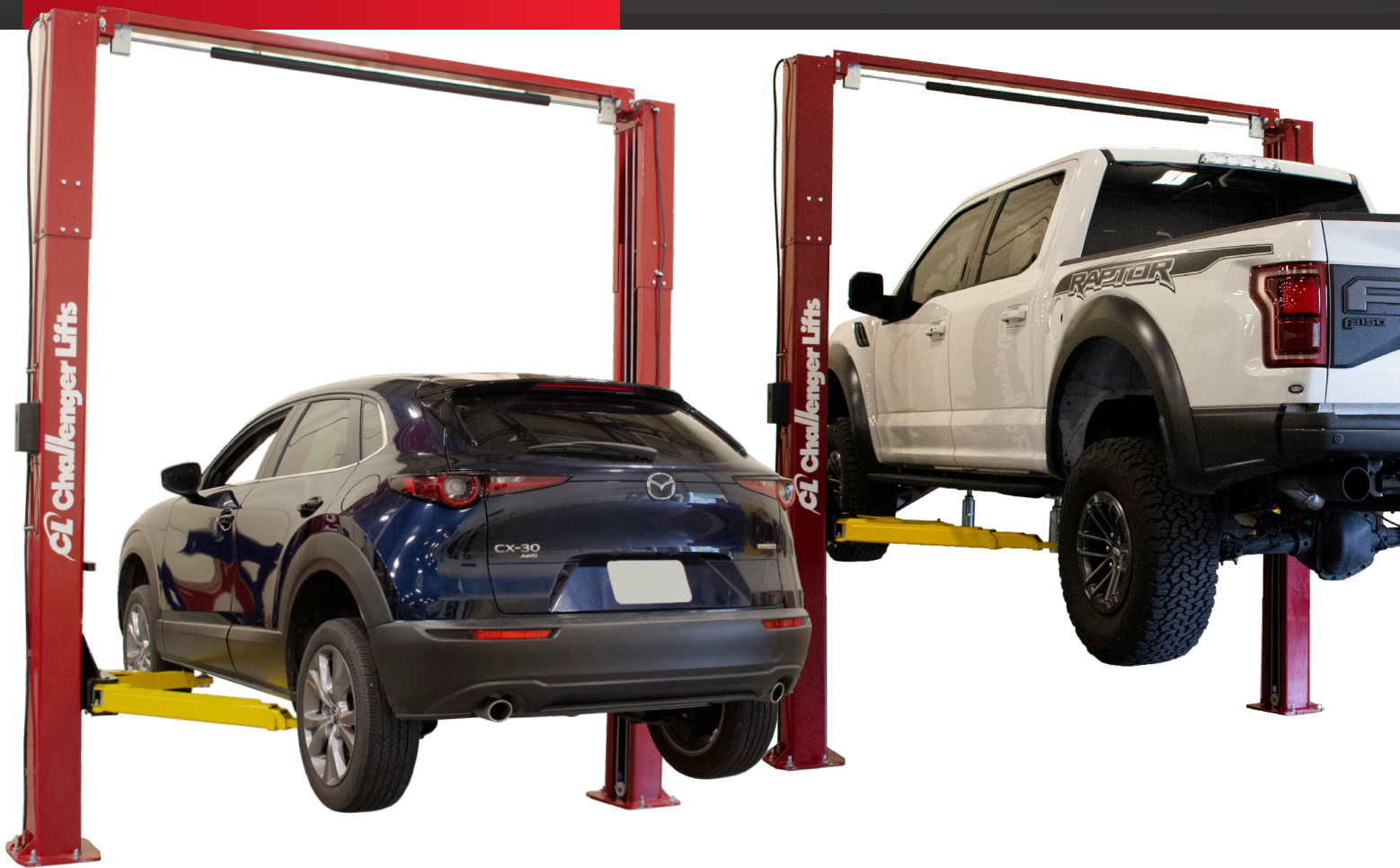
Electric vehicle footpad kit, designed to support select Tesla® vehicles. Sold in a set of 4.



AIR ELECTRIC WORK STATION

PART # B10264A

Provides an air regulator, filter, lubricator, electrical outlets, and a place to hold tools. All of this, directly mounted to the lift column, for ultimate convenience for technicians.

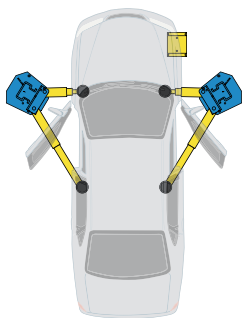


ANY VEHICLE. ONE BAY.

The left image shows a standard passenger car best lifted asymmetrically to allow the technician easy access to the car's interior.

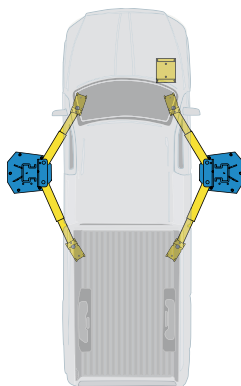
The right image shows a truck with a possible "load" in the back. This type of vehicle lifts best symmetrically as the front arms position forward, distributing the weight evenly between the two columns.

While each image demonstrates a different way of lifting, with Versymmetric®, both methods are possible **all from one bay.**



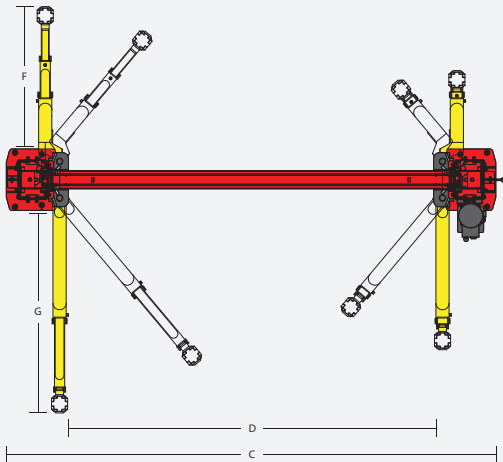
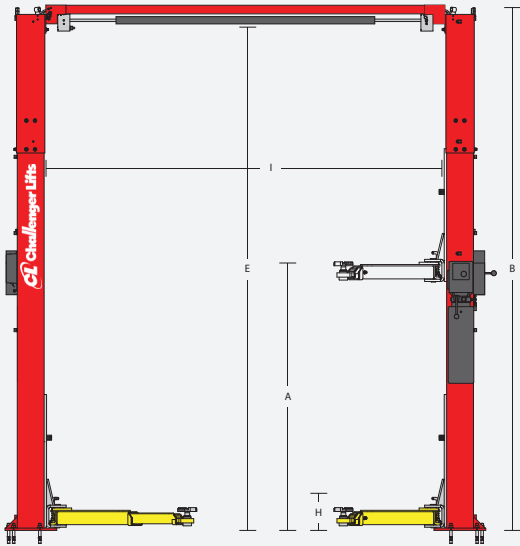
Asymmetric Only

This shows a true asymmetric turn column lift made to lift front-wheel-drive cars, allowing you to move the vehicle's center of gravity back to gain access to the interior. However, due to the turned columns, this limits the variety of cars you can lift without additional safety aides.




Symmetric Only

This shows a symmetric lift made to lift trucks, allowing you to center the vehicle's weight between the columns. This lift, however, limits car door access on smaller vehicles.



FEATURES & BENEFITS:

- 3-Stage Versymmetric® front arms and 2-Stage rear arms provide a wide arm sweep for asymmetric and symmetric lifting in the same service bay.
- 11.875" standard height fits in service bays with 12' ceiling height.
- Double telescoping screw pads with rubber foot pad.
- Padded overhead shut-off system prevents vehicle damage.
- Jacketed pulley-less single-point mechanical lock release system that was once exclusive to our CL series lifts are now standard on the VLE10.
- Rubber door guards protect vehicle from door damage.
- Premium powder coat finish provides long-lasting durability.
- Plated arm restraints and arm pins inhibit rust and provide long-lasting durability.

| Model Number | VLE10 |
|---|---|
| Lifting Capacity ¹ | 10,000 lbs. |
| Lift Configuration | Symmetric and Asymmetric |
| Arm Configuration | 3-Stage Versymmetric® Front/2-Stage Rear |
| Max Load Per Arm | 2500 lbs |
| A Rise Height (screw pads at highest position) | 74.75" |
| B Overall Height | Standard: 143.875" Extended Height: 167.875" |
| C Overall Width | 131.625" |
| D Drive-Thru Clearance | 98.375" |
| E Floor to Overhead Switch | Standard: 137" Extended Height: 161" |
| F Front Arm Reach | 22.3125" - 39.375" |
| G Rear Arm Reach | 38.375" - 55.375" |
| H Screw Pad Height | 4.25" - 6.75" |
| I Between Columns | 110.25" |
| Motor / Voltage | 2HP, 208v-230v, 60Hz, 1Ph |
| Rise Time ² | 44 s |
| Ceiling Height Required | Standard: 12' Extended Height: 14' |
| ALI/ETL Certified | ✓ |
| Optional Extended Height | ✓ |
| Available Colors |  |

¹ Lift Capacity ratings are based on loads equally distributed on all four arms.

² Lifting and lowering time may vary depending on the weight of the vehicle.



2212 Camplain Rd., Hillsborough, NJ 08844

Call for Sales, Service, & Installation

www.fcilift.com **908.526.1500**